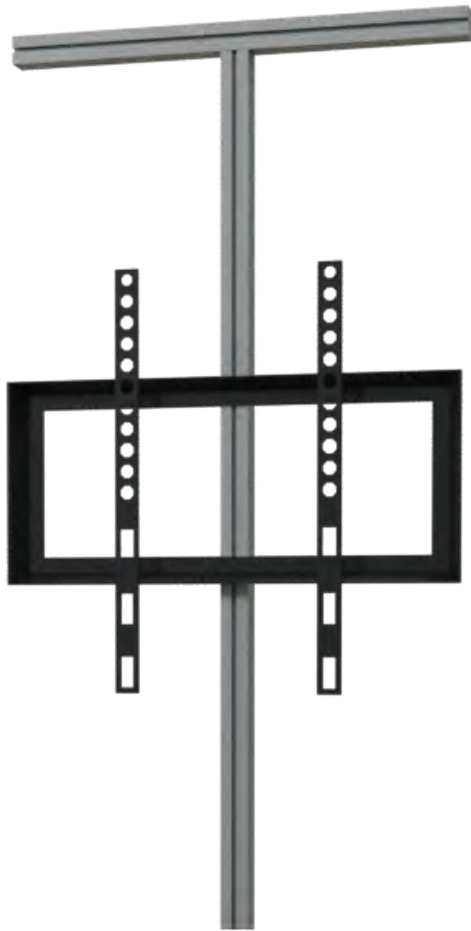




TV Monitor Mount Setup T-Mount



Description

Designed to fit flat Waveline Displays to achieve a "floating" screen experience. You can also use this accessory to hang custom elements to your display. Graphics can include a cut-out for easy access, or you can do your own cut as needed. Kit includes aluminum poles and TV mount.







Dimensions

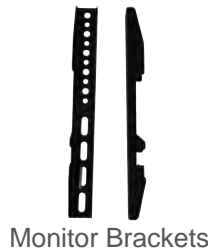
Product Weight: 5lbs	Shipping Weight: 8.5lbs
Assembled Size: 23.6"w x 73"h	Box Dimensions: 39" x 15" x 5"

Monitor Specifications

- Holds Monitors up to 32" or 20 lbs
- Up to VESA 400x400

Parts

- A - x2 M5 Philips Screw 
- B - x2 M6 Allen 10mm screw 
- C - x2 Thumb Screws 
- D - x4 Bracket-to-Monitor Screws: M5, M6, & M8 screws included. Check your TV for specs 
- Phillips Screwdriver 
- Allen Keys 



Monitor Brackets



Horizontal Bar



Monitor Plate



Carry Bag

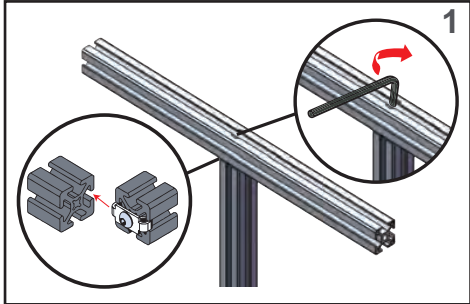


Vertical Bar

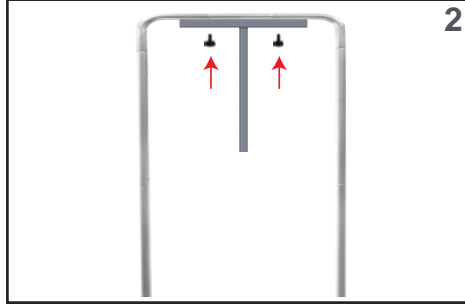
WAVELINE®

TV Monitor Mount Setup

T-Mount



Assemble T-Bar by sliding Horizontal bar into butterfly piece on the end of the vertical bar. Center & tighten with 5mm Allen Key



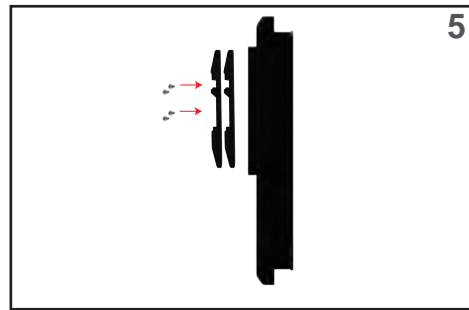
Align the holes of the T-Mount to the underside of the waveline & attach the T-Bar to the frame using the **C** screws.



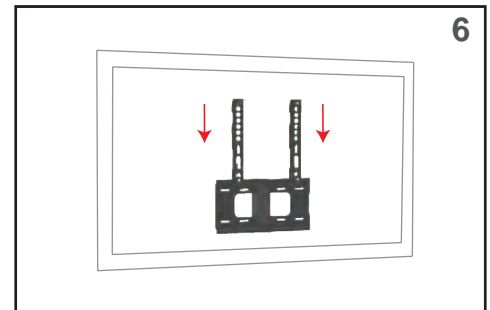
Place graphics over the display and zip at the bottom.



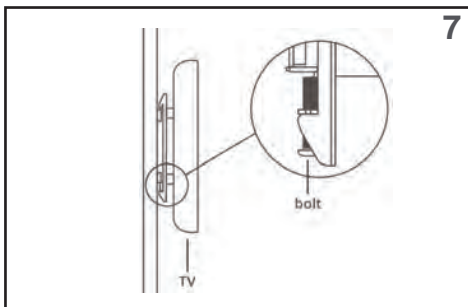
Attach the Mount Plate to the pole, use **B** screws and 4mm Allen Key



Mount the brackets to the back of the monitor with 4 **D** screws



Slowly hang the Bracket onto the Monitor Plate through the opening on the graphic



Secure the bracket to the Monitor Plate by tightening the safety screws **A**



Enjoy your display!