

# Waveline Blimp Tube



## PARTS



Bag



Black Fiber Poles



Curved Poles



Graphic



## DISPLAY CONSTRUCTION

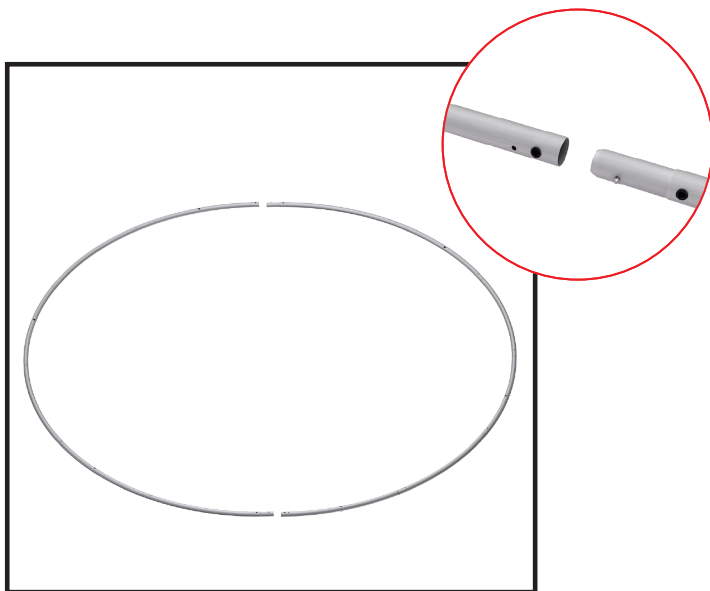
Aluminum frame

## GRAPHIC MATERIAL & FINISHING

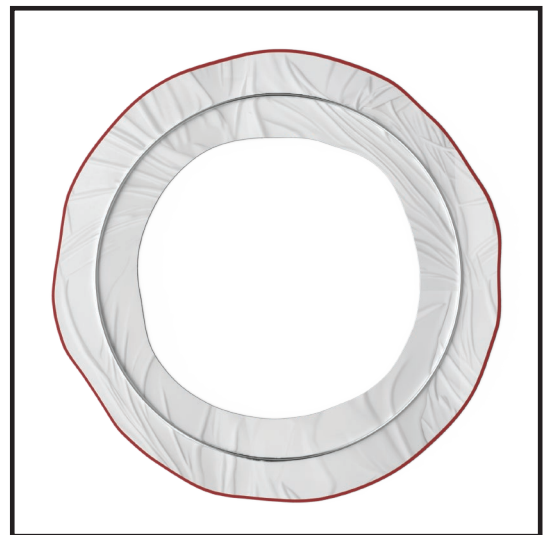
Dye sublimated on One Planet, 100% recycled, fabric.  
Top grade YKK zippers.

## LIMITED WARRANTY

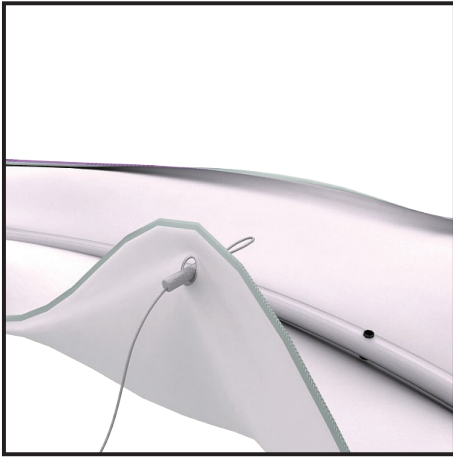
- Frame : Lifetime      - Graphics : 30 days



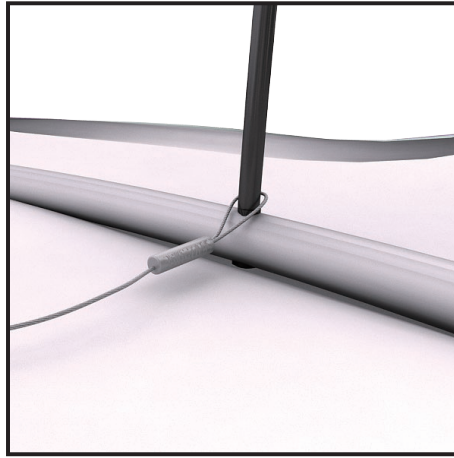
- 1 Lay out parts according to the assembly diagram and push the pipes together. Connect sections with matching shape codes to build top and bottom frames.



- 2 Place the bottom frame on top of the spread out graphic. Make sure the holes meant for the black fiber poles are facing upward.



- ③ Thread the cable supports through eyelets and place them over the holes of the bottom frame.



- ④ Place black fiber poles through each cable loops and into each of the holes on the bottom frame.



- ⑤ Place the other end of the black fiber pole into the corresponding hole of the top frame.



- ⑥ Connect the sections of the black fiber poles together. Repeat steps 4-6 until frame is assembled.



- ⑦ Use the cable supports to help pull fabric up to the top of the frame. Zip and close.



- ⑧ Connect all cables to a single hook to hang the banner.