

Waveline Arch23T

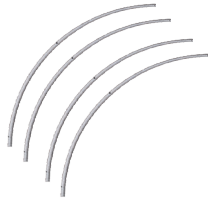
ARCH23T



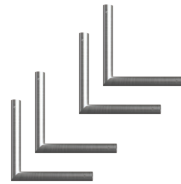
PARTS



Bag



Curved Poles



Corner Poles

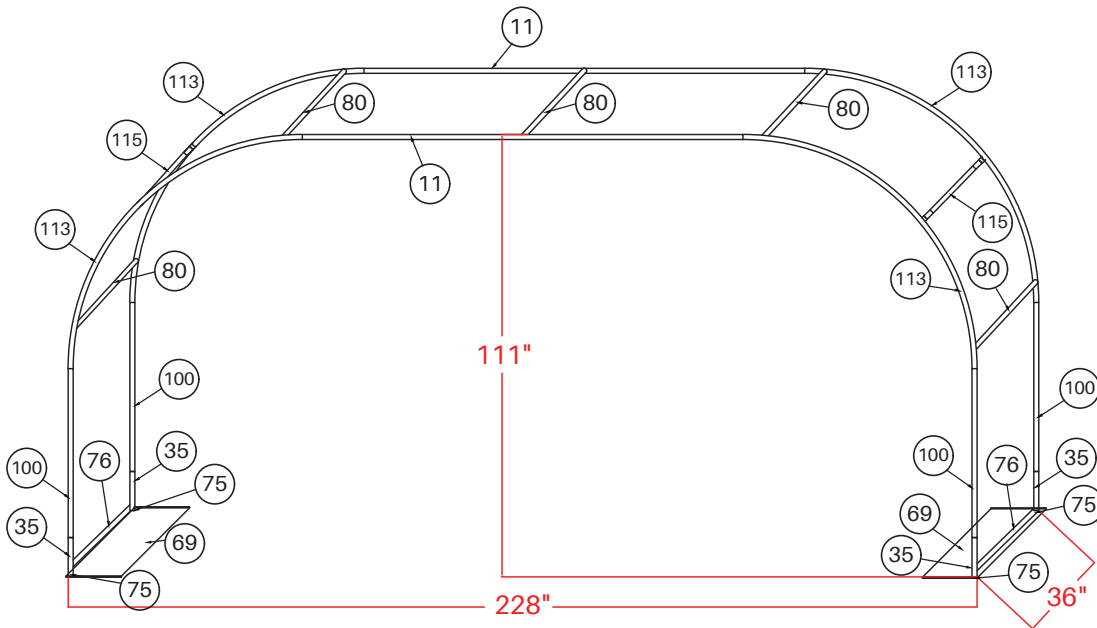


Support Adapters

Support Bases

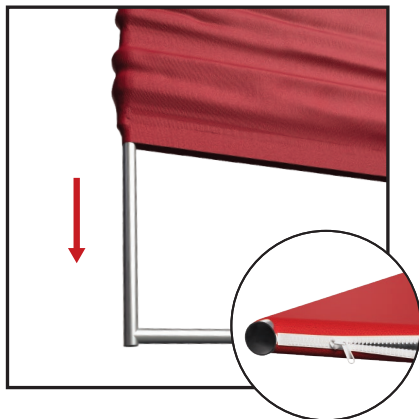


Graphic

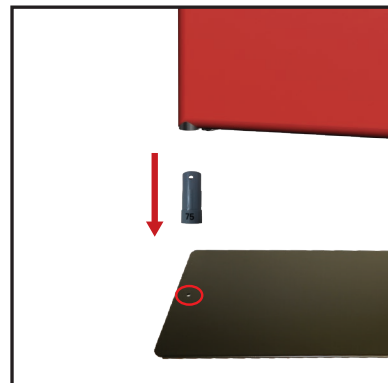


| ARCH23T | |
|---------|-------------|
| QTY | PART NUMBER |
| 4 | WLM#35 |
| 4 | WLM#113 |
| 4 | WLM#100 |
| 2 | WLM#76 |
| 2 | WLM#11 |
| 2 | WLM#115 |
| 2 | WLM#69 |
| 4 | WLM#75 |
| 5 | WLM#80 |

1 Lay out parts according to the assembly diagram and push the pipes together.



2 Feed the fabric from one the frame, only a few feet at a time. Close the zipper.



3 Set up the feet in the position that you want to erect the arch, lift the arch and fit on the feet.

DISPLAY CONSTRUCTION

Aluminum frame with support bases

GRAPHIC MATERIAL & FINISHING

Dye sublimated on One Planet, 100% recycled, fabric. Top grade YKK zippers along bottom of display.

Bottles recycled

211

LIMITED WARRANTY

- Frame : Lifetime - Graphics : 30 days

DIMENSIONS

| | |
|----------------|-------------------------------|
| Assembled Unit | 36" w x 111" h x 228" d |
| Graphic Size | 36" w x 396" h |
| Shipping Box | 36" w x 14" h x 14" d, 64 lbs |